

SONY.

Car Stereo
Service Bulletin

Sony Service Company - Technical Services
A Division of Sony Corporation of America
Sony Drive, Park Ridge, New Jersey 07656

Model: CDX-A20

No.152R1

Subject: Improvement of Signal to
Noise Ratio

Date: July 31, 1990

This Service Bulletin Supersedes Service Bulletin No. 152

Symptom:
(54)

If the customer complains of hearing servo noise during quiet passages or between tracks, replace the "RF" Board with an improved board as shown below.

Solution: An improved "RF" Board is now available to reduce the noise floor.

Please order the following board and perform the procedure listed below:

Description	Part Number
Improved RF Board	T-9985-274-1

1. Replace "RF" Board.
2. Re-adjust Focus and Tracking Bias.
3. Modify the Jack Board (Diagram 1).
4. Add Jumper between "RF" Board and Antenna Shield Board.

(Continued)

Reference:

PRINTED IN U.S.A.
CSA-14790-4

Compact Disc
CSA-14

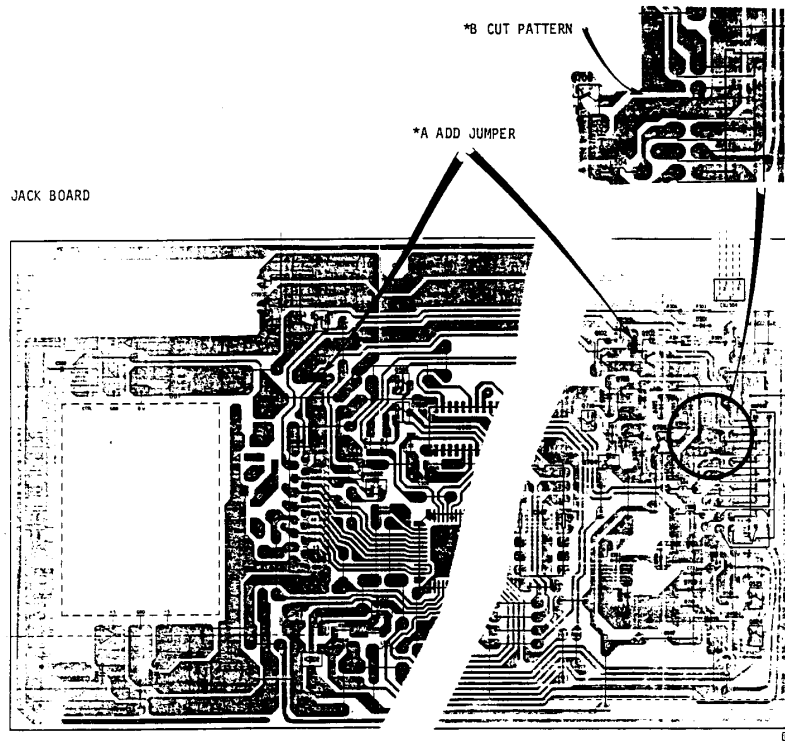


FIG. 1

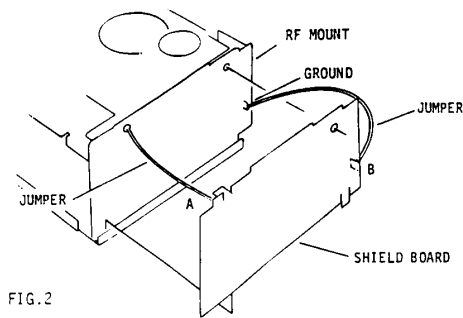


FIG. 2